

ebm-papst Mulfingen GmbH & Co. KG

Bachmühle 2

74673 Mulfingen

Phone: +49 7938 81-0

Fax: +49 7938 81-110

www.ebmpapst.com

info1@de.ebmpapst.com

Nominal data

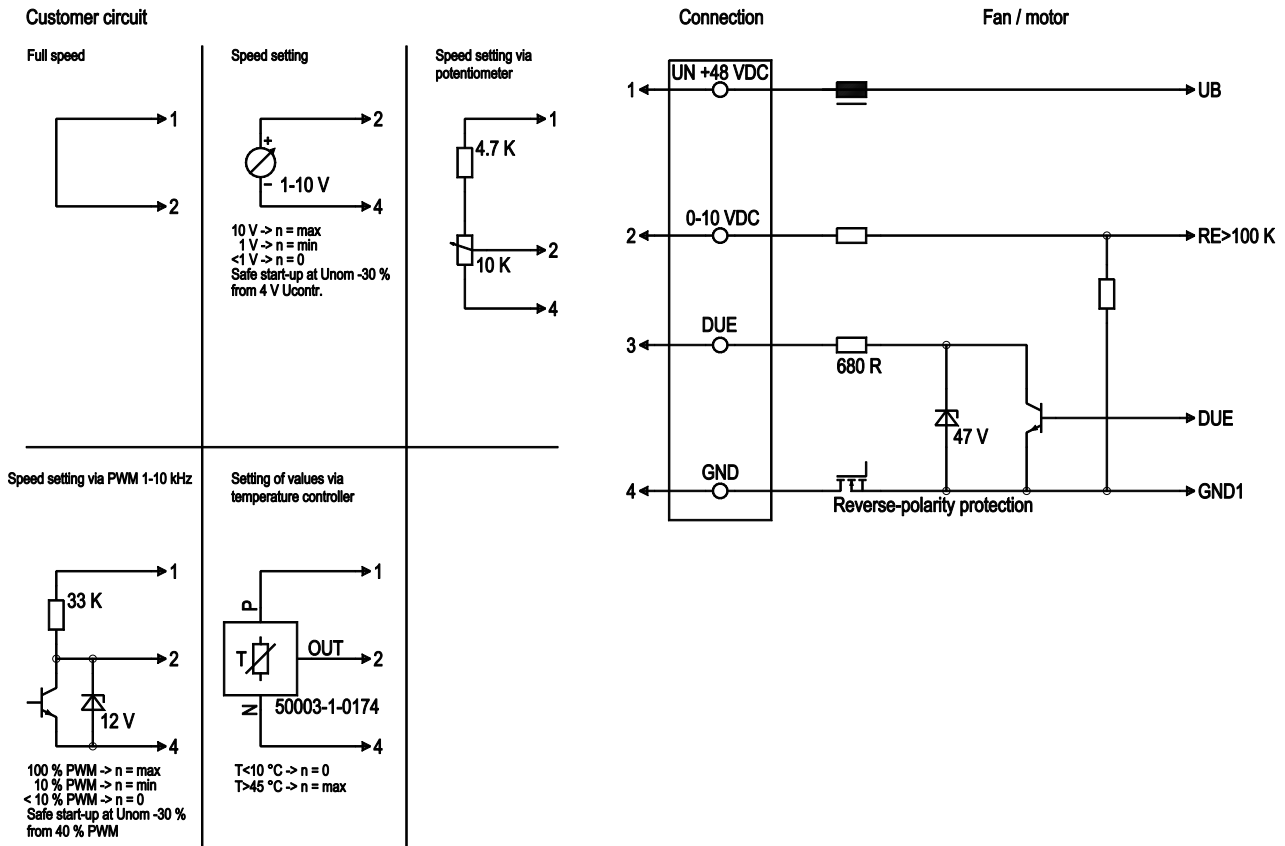
Type	R1G220-AB73-52	
Motor	M1G074-BF	
Nominal voltage	[VDC]	48
Nominal voltage range	[VDC]	36 .. 57
Type of data definition		rfa
Speed	[min ⁻¹]	3100
Power input	[W]	100
Current draw	[A]	2.4
Min. ambient temperature	[°C]	-25
Max. ambient temperature	[°C]	+60

ml = max. load · me = max. efficiency · rfa = running at free air · cs = customer specs · cu = customer unit
Subject to alterations

Technical features

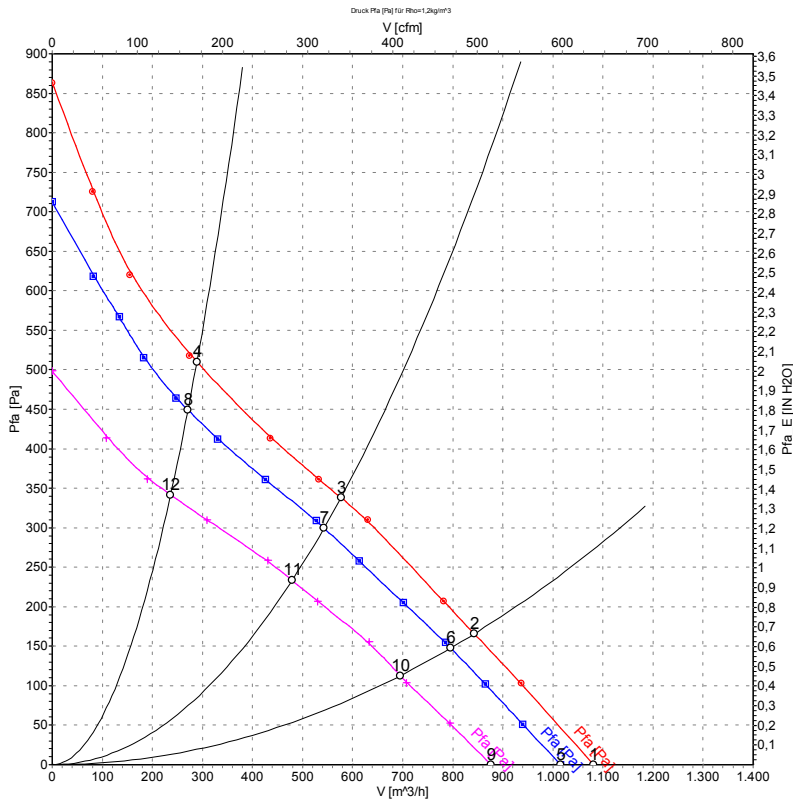
Size	220 mm
Operation mode	S1
Direction of rotation	Clockwise, seen on rotor
Mounting position	Any
EMC interference emission	Acc. to EN 55022 (Class B)
EMC interference immunity	Acc. to EN 61000-6-2
Insulation class	"B"
Cable exit	Variable
Condensate discharge holes	None
Bearing motor	Ball bearing
Mass	1.4 kg
Material of impeller	Plastic PA66, fibreglass-reinforced
Motor protection	Reverse polarity and locked-rotor protection
Product conforming to standard	EN 60950-1
Surface of rotor	Coated in black
Number of blades	11
Type of protection	IP 42
Technical features	<ul style="list-style-type: none"> - Control input 0-10 VDC / PWM - Tach output - Motor current limit - Soft start
Max. permissible ambient motor temp. (transp./ storage)	+80 °C
Min. permissible ambient motor temp. (transp./storage)	-40 °C
Approval	CCC; CSA C22.2 Nr.77; UL 1004

Connection screen



Line	No.	Signal	Colour	Function / assignment
1	1	Un +48 VDC	red	Power supply 48 VDC, residual ripple 3.5 %
1	2	0-10 VDC	yellow	Control input Re > 100 K
1	3	DUE	white	Speed monitoring output, 3 pulses per rotation, Isink max = 10 mA
1	4	GND	blue	Reference mass

Charts: Air flow



Measurement: LU-47146
 Measurement: LU-47145
 Measurement: LU-47147

Measured values

	U	n	P ₁	I	\hat{V}	p _{fa}
	[V]	[min ⁻¹]	[W]	[A]	[m ³ /h]	[Pa]
1	56	3305	118	2.54	1080	0
2	56	3095	122	2.72	845	166
3	56	2975	126	2.85	575	338
4	56	3155	122	2.68	290	508
5	48	3100	100	2.40	1015	0
6	48	2915	102	2.51	795	150
7	48	2805	104	2.59	545	300
8	48	2980	101	2.45	270	450
9	36	2665	64	1.96	875	0
10	36	2545	68	2.10	695	112
11	36	2480	71	2.20	480	233
12	36	2600	66	2.03	235	341